

JI MONITORING REPORT

FOR REPORTING PERIOD 01.08.2010 – 31.12.2010

Version 2.0
31st of January 2011

CONTENTS

- A. General project activity and monitoring information
- B. Key monitoring activities
- C. Quality assurance and quality control measures
- D. Calculation of GHG emission reductions

SECTION A. General Project activity information

A.1 Title of the project activity:

“Utilization of Coal Mine Methane at the Coal Mine named after A.F. Zasyadko”.

A.2. Registration number at JISC:

UA2000004

A.3. Short description of the project activity:

According to data of the mine, during five months (01.08.2010 — 31.12.2010) the following amount of methane has been utilized:

For electricity (and heat) m ³ (fuel gas)	18 887 098
For electricity (and heat) m ³ (ignition gas)	827 348
For AGFCP m ³	785 875
Total	20 500 322

Table 1: Amount of methane utilized during monitoring period.

The project is aimed to prevent methane emission into the atmosphere at Lease Enterprise Coal Mine named after A.F. Zasyadko, further referred to as Zasyadko or simply Mine. CMM extracted and recovered during mine works and because of ventilation of Mine, obtained from surface wells drilled into the gob at Zasyadko Coal Mine, is utilized for:

- Power production;
- Replacement of heat that is now generated by coal and gas boilers;
- Production of gas for motor vehicle fuelling.

Mine has four industrial sites: Vostochnaya, Yakovlevskaya, Centralnaya and Grigoryevskaya. During this monitoring period, one Structural Unit Combined Heat and Power Plant (SU CHP) at Vostochnaya site was in operation. The power generated at SU CHP was supplied in Mine's main, for Mine's local consumption. Heat generated by Vostochnaya SU CHP was feed for consumption at Vostochnaya site. Double-block automatic gas filling station at Vostochnaya site supply car fleet of Mine and other vehicles from neighboring districts with fuel.

In the future, commissioning of the second SU CHP at Yakovlevskaya site is intended, and heat supply grid as well. This will make Mine able to feed excess power to general consumption grid, supply heat to Vostochnaya, Yakovlevskaya, and Centralnaya sites, and municipal heat supply grid. Besides, gas fuelling stations will be installed at Yakovlevskaya site.

A.4. Monitoring period:

- Monitoring period starting date: 01/08/2010;
- Monitoring period closing date: 31/12/2010¹.

A.5. Methodology applied to the project activity (incl. version number):

A.5.1. Baseline methodology:

The approved consolidated methodology ACM0008/Version 03 “*Consolidated baseline methodology for coal bed methane and coal mine methane capture and use for power (electrical or motive) and heat and/or destruction by flaring*”) has been used to identify the baseline scenario of this JI project. This methodology also refers to the “Tool for calculation of emission factor for electricity systems”, the latest version of the “Tool for the demonstration and assessment of additionality” and the latest version of the “Tool to determine project emissions from flaring gases containing methane”.

¹ Both days were included. Monitoring period includes time from 00-00 01/08/10 up to 24-00 31/12/10.

JI MONITORING REPORT

A.5.2. Monitoring methodology:

The approved consolidated methodology ACM0008/Version 03 “Consolidated baseline methodology for coal bed methane and coal mine methane capture and use for power (electrical or motive) and heat and/or destruction by flaring”) was used to identify the baseline scenario of this JI project.

A.6. Status of implementation including timetable for major project parts:

Activity	Planned installation date, as stated in the PDD	Implementation status
Commissioning of two gas filling compressor stations	March 2004	March 2004
Commissioning of one new gas filling compressor station	March 2005	March 2005
Commissioning of the 1 st SU CHP modules at Vostochnaya site	January 2006	January 2006
Commissioning of the 12 th SU CHP modules at Vostochnaya site	April 2006	April 2006
Heat delivery from SU CHP modules to, and shut-down of boilers Vostochnaya site	September 2006	September 2006
Commissioning of one new gas filling compressor station	November 2007	March 2005
Commissioning of one new gas filling compressor station	January 2008	Delayed due to accident 2007, planned for September 2012
Heat delivery from SU CHP modules to, and shut-down of boilers Yakovlevskaya site	July 2008	Delayed due to accident 2007, planned for October 2012
Heat delivery from SU CHP modules to, and shut-down of boilers Centralnaya site	May 2008	Delayed due to accident 2007, planned for October 2012
Commissioning of the 1 st SU CHP unit at Yakovlevskaya site	July 2009	Delayed due to accident 2007, planned for December 2011
Commissioning of 6 th SU CHP unit at Yakovlevskaya site	December 2009	Delayed due to accident 2007, planned for March 2012
Supply of heat to DH - system	September 2009	Delayed due to accident 2007, planned for December 2012

Table 2: Status of implementation (according to PDD version 4.4)

A.7. Intended deviations or revisions to the registered PDD:

There are no deviations from final version of PDD approved by JISC. A delay in the implementation schedule was noted as compared with implementation schedule from PDD as shown above. In view of this, within the monitoring period, following project parts have not been introduced:

- Power: Yakovlevskaya SU CHP is not in operation at this moment. At this SU CHP, power generation is not running; as a result, GEN_{CHP} includes only net power generated by Vostochnaya SU CHP;
- Heat: during this monitoring period, infrastructure for heat supply of four sites of Mine and municipal heat supply grid are absent, save heat supply from Vostochnaya SU CHP to Vostochnaya site. In view of this, at this monitoring period, monitoring of following variable data was not performed: HEAT_{deliv,DH,y}; HEAT_{deliv,yak,y}; HEAT_{deliv,centr,y}. General amount of heat supplied is equal to amount of heat supplied from Vostochnaya SU CHP (HEAT_{deliv,vost,y});

- Coal Mine Methane(CMM), utilized at SU CHP: As Yakovlevskaya SU CHP was not in operation during this monitoring period, CMM was not utilized at this SU CHP. Therefore, $MM_{CHP,y}$ included only CMM, utilized by Vostochnaya SU CHP;
- Coal Mine Methane(CMM) utilized at AGFCP. From four planned fuel stations (one - at Vostochnaya site, one- at Centralnaya site, and two-on Yakovlevskaya site), during this monitoring period, block gas filling station at Vostochnaya site has been operating. Therefore for $MM_{GAS,y}$ monitoring, only gas supply to these gas fueling station was used.

A.8. Intended deviations or revisions to the registered monitoring plan:

There are no deviations in the monitoring plan compared to the final monitoring plan dd. 27 March 2008 as described in the PDD version 4.4. Below –mentioned metering devices have been substituted, and additions have been made to provide safety of parameters monitored. Calibration of all these devices has been performed (see below). Parameters as well as formulas have not been changed.

From January 1, 2008, primary and secondary metering devices/ meters have been added/ substituted, because SU CHP unit measuring system was updated and improved. In addition, new metering device blocks for high concentration flow metering measurement have been installed:

- Universal 1 Metering system for ignition gas at SU CHP unit instead of Gn6 with their sensors;
- Universal 2 Metering system for fuel gas at AGFCP, additionally to gas fuelling stations equipment;
- BKT.M Metering system for fuel gas in machine rooms, instead of Keuter device, ADM Electronic at gas treatment facility.

See more detailed description of layout and work of metering equipment in Section B.

A.9. Changes since last verification:

During 01/08/2010-31/12/2010, no changes occurred since last verification.

A.10. Person(s) responsible for the preparation and submission of the monitoring report:

Structural Unit Combined Heat and Power Plant (SU CHP) at Lease enterprise “Coal Mine named after A.F. Zasyadko

- Borys Bokiy, Deputy General Director
- Yevgen Berezovskiy, SU CHP Director;
- Valeriy Cherednikov, Monitoring Engineer, Gas Treatment Lead Engineer;

LLC “Carbon Emissions Partnership Technic”.

- Svitlana Lyubarets, Director.

SECTION B. Key monitoring activities according to the monitoring plan for the monitoring period stated in A.4.

The control and monitoring system can be divided into an electrical part, a heat part and a gas part.

Electrical measurements

There are no changes since last monitoring period.

Heat measurements

There are no changes since last monitoring period.

B.1. Monitoring equipment types

There are no changes since last monitoring period.

1. Electricity meters “Elster-Metronika”;
2. Heat meter SA-94/2M;
3. Gas Analyzer ABB A02040 (for fuel and ignition methane);
4. DBT equipment. (for fuel and ignition methane);
5. DRG.M flow meters (for fuel methane) as a part of BKTМ metering systems;
6. Metering system “Universal”.

B.1.2. Table providing information on metering equipment used (incl. manufacturer, type, serial number, date of installation, Date of calibration, information to specific uncertainty, need for changes and replacements):

The control and monitoring system can be divided into an electrical part, a heat part, and a gas part.

Electrical measurements

Following parameters shall be measured for emission reduction monitoring²:

- GEN_{CHP} — net electricity generated by SU CHP under project(MWh);
- EL_{cons} — net electricity consumed by Mine (MWh)³.

According to monitoring plan, initially excess or lack of net electricity amount was checked as generated by SU CHP in comparison to net electricity consumed by Mine. Actually, parameters measured are:

- $GEN_{CHP} = 65\,990,272$ MWh;
- $EL_{cons} = 81\,976,768$ MWh.

As net electricity amount generated by SU CHP under project is less than net electricity consumed by Mine, for emission reduction monitoring (see also page 40 of PDD), only amount of electricity generated by SU CHP is required. Net electricity generated by SU CHP is measured with two meters in power grid of Mine:

$$GEN_{CHP} (MWh) = E1 + E2, \tag{1.}$$

To perform cross-checking, electricity generated by SU CHP is summed up by way of addition of total electricity amount generated by each separate SU CHP unit excluding secondary electricity consumption by SU CHP itself. This calculation is performed under following formula.

$$GEN_{CHP} = \left(\sum_5^{16} E_{mod} - \sum_3^4 E_{aux} \right) = (E5 + E6 + E7 + E8 + E9 + E10 + E11 + E12 + E14 + E15 + E16) - (E3 + E4), \tag{2.}$$

Respective description of meters see in the table provided below. Because for check of electricity at high voltage, it is impossible to use data directly from meters, current and voltage transformers are used. In the first table, converted data for calculation of actual data are shown.

² Section D contains respective formulae from Monitoring Plan of PDD.

³ Net electricity consumption of Mine is demonstrated in the report of Chief Energy Engineer of the Mine according to data of thirteen commercial meters located at other 110 kV substations at Mine named after A.F.Zasyadko. Meters E17, E18 are included in thirteen commercial meters and are located at Vostochnaya substation 110 kV.

Cross-checking of EuroALPHA E-meters readings

Accounting of electricity generated by SU CHP is fixed by automated electricity commercial recording system (AECRS) which included twelve EuroALPHA non-commercial E-meters (E5 — E16), which record generation of each genset, as well as two EuroALPHA non-commercial E-meters (E3 — E4), which record SU CHP consumption.

Each genset cell is provided with universal microprocessor protection and control devices (REF), which allow, among other functions, performance of technical recording of electricity amount. Data from REF are hourly fixed in the database. Upon expiry of the day, hourly generation per each genset is fixed.

SU CHP Chief Dispatcher performs daily comparison of readings of AECRS and REF.

Summary cross checking results from 01.08.2010 until 31.12.2010 are shown in the table.

01.08.2010 - 31.12.2010			
Months	Active power generation AECRS	Active power generation REF	Relative difference in AECRS-REF readings
	kWh	kWh	%
August 2010	15 700 254	15 687 565	0,08
September 2010	16 611 086	16 596 508	0,09
October 2010	11 084 682	11 074 521	0,09
November 2010	13 556 490	13 545 095	0,08
December 2010	11 517 477	11 507 591	0,09
Total	68 469 989	68 411 280	0,09

Table 3. AECRS - REF summary cross checking results

JI MONITORING REPORT

Monitoring Report #9 “Utilization of Coal Mine Methane at the Coal Mine named after A.F. Zasyadko” page 7

Electricity Meters

Number	Metering instrument	Work parameter kWh, kVA	Manufacturer	Type	Serial Number	Accuracy ⁴	Date of installation	Date 01.08.2010	Date 31.12.2010	Difference	Date of calibration	Date of next calibr.	Remarks
E1	Electricity meter in SU CHP units system (6 kV) Wireway	Net electricity generated by SU CHP system. P,Q	“Elster-Metronika” Russia	Electronic	№ 01116374	0.2S ⁵	N/A	8268,5466	9100,0971	831,5505	14.05.2005	14.05.2011	Double side. Cubicle No.A21
E2	Electricity meter in SU CHP units system (6 kV) Wireway	Net electricity generated by SU CHP system. P,Q	“Elster-Metronika” Russia	Electronic	№ 01116376	0.2S	N/A	8617,2029	9531,4268	914,2239	14.05.2005	14.05.2011	Double side. Cubicle No.B22
E17	Commercial electricity meter 110 kV	Consumption of electricity from or supply Ukrainian grid with	“Elster-Metronika” Russia	Electronic	№ 01194835	0.2S	N/A	191,6990	226,0750	34,3760	N/A Belongs to supply company	N/A	Substation 110kV T1
E18	Commercial electricity meter 110 kV	Consumption of electricity from or supply Ukrainian grid with	“Elster-Metronika” Russia	Electronic	№ 01194834	0.2S	N/A	139,9940	167,2187	27,2247	N/A Belongs to supply company	N/A	Substation 110kV T2

⁴ Accuracy level is a generalized parameter of measurement devices that is defined with limits of allowable main and extra uncertainties, as well as with range of other properties that influence accuracy of measurements performed with them. Accuracy levels are regulated by norms for certain types of measurement devices with use of metrological parameters and methods of their normalization.

⁵ Accuracy levels 0.2S and 0.5S; letter S means that meter accuracy is normalized commencing from lower limit not in 5% of Ином (nominal limit) (as the case is for meters with no letter, e.g. levels 0,2 and 0,5), but from 1% of Ином, according to GOST 30206-94.

JI MONITORING REPORT

Number	Metering instrument	Work parameter kWh, kVA	Manufacturer	Type	Serial Number	Accuracy	Date of installation	Date 01.08.10	Date 31.12.10	Difference	Date of calibration	Date of next calibr.	Remarks
E3	Electricity meter at SU CHP system (6 kV) Auxiliary transformer	Electricity consumed by SU CHP system, P, Q	“Elster-Metronika” Russia	Electronic	№ 01103251	0.5S	N/A	4345,4587	4781,4811	436,0224	14.04.2010	14.04.2016	Cubicle No.1
E4	Electricity meter at SU CHP system (6 kV) Auxiliary transformer	Electricity consumed by SU CHP system, P, Q	“Elster-Metronika” Russia	Electronic	№ 01103208	0.5S	N/A	4407,7161	4834,0080	426,2919	14.04.2010	14.04.2016	Cubicle No.2
E5	Electricity meters at individual SU CHP modules (6 kV) No.1	Gross electricity generated by SU CHP system P,Q	“Elster-Metronika” Russia	Electronic	№ 01117846	0.2S	N/A	9796,4711	10821,3317	1024,8606	14.04.2010	14.04.2016	Double side. Cubicle No.5
E6	Electricity meters at individual SU CHP modules (6 kV) No.3	Gross electricity generated by SU CHP system P,Q	“Elster-Metronika” Russia	Electronic	№ 01117849	0.2S	N/A	10721,1073	12004,3140	1283,2067	12.04.2010	12.04.2016	Double side. Cubicle No.7
E7	Electricity meters at individual SU CHP modules (6 kV) No.5	Gross electricity generated by SU CHP system P,Q	“Elster-Metronika” Russia	Electronic	№ 01117851	0.2S	N/A	10905,0278	11978,0501	1073,0223	07.04.2010	07.04.2016	Double side. Cubicle No.9
E8	Electricity meters at individual SU CHP modules (6 kV) No.7	Gross electricity generated by SU CHP system P,Q	“Elster-Metronika” Russia	Electronic	№ 01117852	0.2S	N/A	10391,1110	11452,1590	1061,0480	13.04.2010	13.04.2016	Double side. Cubicle No.11
E9	Electricity meters at individual SU CHP modules (6 kV) No.9	Gross electricity generated by SU CHP system P,Q	“Elster-Metronika” Russia	Electronic	№ 01117855	0.2S	N/A	11922,6261	13245,6354	1323,0093	13.04.2010	13.04.2016	Double side. Cubicle No.13
E10	Electricity meters at individual SU CHP modules (6 kV) No.11	Gross electricity generated by SU CHP system P,Q	“Elster-Metronika” Russia	Electronic	№ 01117856	0.2S	N/A	11484,2372	12645,9226	1161,6854	07.04.2010	07.04.2016	Double side. Cubicle No.15

JI MONITORING REPORT

Monitoring Report #9 “Utilization of Coal Mine Methane at the Coal Mine named after A.F. Zasyadko” page 9

Number	Metering instrument	Work parameter kWh, kVA	Manufacturer	Type	Serial Number	Accuracy	Date of installation	Date 01.08.10	Date 31.12.10	Difference	Date of calibration	Date of next calibr.	Remarks
E11	Electricity meters at individual SU CHP modules (6 kV) No.2	Electricity consumed by CHP system, P, Q	“Elster-Metronika” Russia	Electronic	№ 01117848	0.2S	N/A	12161,7203	12847,0514	685,3311	12.04.2010	12.04.2016	Cubicle No.6
E12	Electricity meters at individual SU CHP modules (6 kV) No.4	Electricity consumed by CHP system, P, Q	“Elster-Metronika” Russia	Electronic	№ 01122645	0.2S	N/A	7133,9699	8299,7955	1165,8256	12.04.2010	12.04.2016	Cubicle No.8
E13	Electricity meters at individual SU CHP modules (6 kV) No.6	Gross electricity generated by CHP system P,Q	“Elster-Metronika” Russia	Electronic	№ 01122650	0.2S	N/A	10960,8803	11996,4435	1035,5632	14.04.2010	14.04.2016	Double side. Cubicle No.10
E14	Electricity meters at individual SU CHP modules (6 kV) No.8	Gross electricity generated by CHP system P,Q	“Elster-Metronika” Russia	Electronic	№ 01117845	0.2S	N/A	13013,0723	14211,0145	1197,9422	07.04.2010	07.04.2016	Double side. Cubicle No.12
E15	Electricity meters at individual SU CHP modules (6 kV) No.10	Gross electricity generated by CHP system P,Q	“Elster-Metronika” Russia	Electronic	№ 01132765	0.2S	N/A	11879,0399	13193,2966	1314,2567	13.04.2010	13.04.2016	Double side. Cubicle No.14
E16	Electricity meters at individual SU CHP modules (6 kV) No.12	Gross electricity generated by CHP system P,Q	“Elster-Metronika” Russia	Electronic	№ 01132766	0.2S	N/A	8562,1111	9821,6752	1259,5641	14.04.2010	14.04.2016	Double side. Cubicle No.16

Calibration interval for electricity meters is six years.

As it is impossible to use meters data directly to check electricity generated we have to take in account special coefficients which is appears from multiplying of coefficients transformation for current and voltage transformers connected to each meter. Their data are presented in table below.

In view of high voltage and currents, it is impossible to obtain direct data from electricity meters on generation and consumption of electricity without current and voltage transformers, for accounting of equipment operation. The calculation method is following: example for meter No. 01116374: Current $-3000/5= 600$ A; voltage- $6300/100=63$ V (gross factor $-600 \times 63 =37800$ VA). **Date on meter -831,5505. Electricity to be accounted with this meter makes up: $831,5505 \times 600 \times 63=31\ 432\ 608,9$ VA = 31 432 608,9 kW**

JI MONITORING REPORT

Monitoring Report #9 "Utilization of Coal Mine Methane at the Coal Mine named after A.F. Zasyadko" page 10

Number	Metering instrument	Work parameter kWh, kVA	Type	Serial Number	Current transformer	Voltage transformer	Coefficient for calculations	Electricity Amount
E1	Electricity meter in SU CHP unitssystem (6 kV) Wireway	Net electricity generated by SU CHP system, P,Q	Electronic	№ 01116374	3000/5	6300/100	37800	31 432 608,9
E2	Electricity meter in SU CHP unitssystem (6 kV) Wireway	Net electricity generated by SU CHP system, P,Q	Electronic	№ 01116376	3000/5	6300/100	37800	34 557 663,4
E3	Electricity meter at SU CHP system (6 kV) Auxiliary transformer	Electricity consumed by SU CHP system, P, Q	Electronic	№ 01103251	200/5	6300/100	2520	1 098 776,4
E4	Electricity meter at SU CHP system (6 kV) Auxiliary transformer	Electricity consumed by SU CHP system, P, Q	Electronic	№ 01103208	200/5	6300/100	2520	1 074 255,6
E5	Electricity meters at individual SU CHP modules (6 kV) No.1	Gross electricity generated by SU CHP system, P,Q	Electronic	№ 01117846	400/5	6300/100	5040	5 165 297,4
E6	Electricity meters at individual SU CHP modules (6 kV) No.3	Gross electricity generated by SU CHP system P,Q	Electronic	№ 01117849	400/5	6300/100	5040	6 467 361,8
E7	Electricity meters at individual SU CHP modules (6 kV) No.5	Gross electricity generated by CHP system P,Q	Electronic	№ 01117851	400/5	6300/100	5040	5 408 032,4
E8	Electricity meters at individual SU CHP modules (6 kV) No.7	Gross electricity generated by SU CHP system P,Q	Electronic	№ 01117852	400/5	6300/100	5040	5 347 681,9
E9	Electricity meters at individual SU CHP modules (6 kV) No.9	Gross electricity generated by SU CHP system P,Q	Electronic	№ 01117855	400/5	6300/100	5040	6 667 966,9
E10	Electricity meters at individual SU CHP modules (6 kV) No.11	Gross electricity generated by CHP system P,Q	Electronic	№ 01117856	400/5	6300/100	5040	5 854 894,4
E11	Electricity meters at individual SU CHP modules (6 kV) No.2	Gross electricity generated by SU CHP system P,Q	Electronic	№ 1117848	400/5	6300/100	5040	3 454 068,7
E12	Electricity meters at individual SU CHP modules (6 kV) No.4	Gross electricity generated by SU CHP system P,Q	Electronic	№ 01122645	400/5	6300/100	5040	5 875 761,0

JI MONITORING REPORT

Number	Metering instrument	Work parameter kWh, kVA	Type	Serial Number	Current transformer	Voltage transformer	Coefficient for calculations	Electricity Amount
E13	Electricity meters at individual SU CHP modules (6 kV) No.6	Net electricity generated by SU CHP system, P,Q	Electronic	№ 01122650	400/5	6300/100	5040	5 219 238,5
E14	Electricity meters at individual SU CHP modules (6 kV) No.8	Net electricity generated by SU CHP system, P,Q	Electronic	№ 01117845	400/5	6300/100	5040	6 037 628,7
E15	Electricity meters at individual SU CHP modules (6 kV) No.10	Net electricity generated by SU CHP system, P,Q	Electronic	№ 01132765	400/5	6300/100	5040	6 623 853,8
E16	Electricity meters at individual SU CHP modules (6 kV) No.12	Net electricity generated by SU CHP system, P,Q	Electronic	№ 01132766	400/5	6300/100	5040	6 348 203,1
E17	Commercial electricity meter 110 kV	Consumption of electricity from or supply Ukrainian grid with	Electronic	№ 01194835	150/5	110000/100	33000	1 134 408,0
E18	Commercial electricity meter 110 kV	Consumption of electricity from or supply Ukrainian grid with	Electronic	№ 01194834	150/5	110000/100	33000	898 415,1

Electricity Metering Scheme for Vostochnaya SU CHP Facility

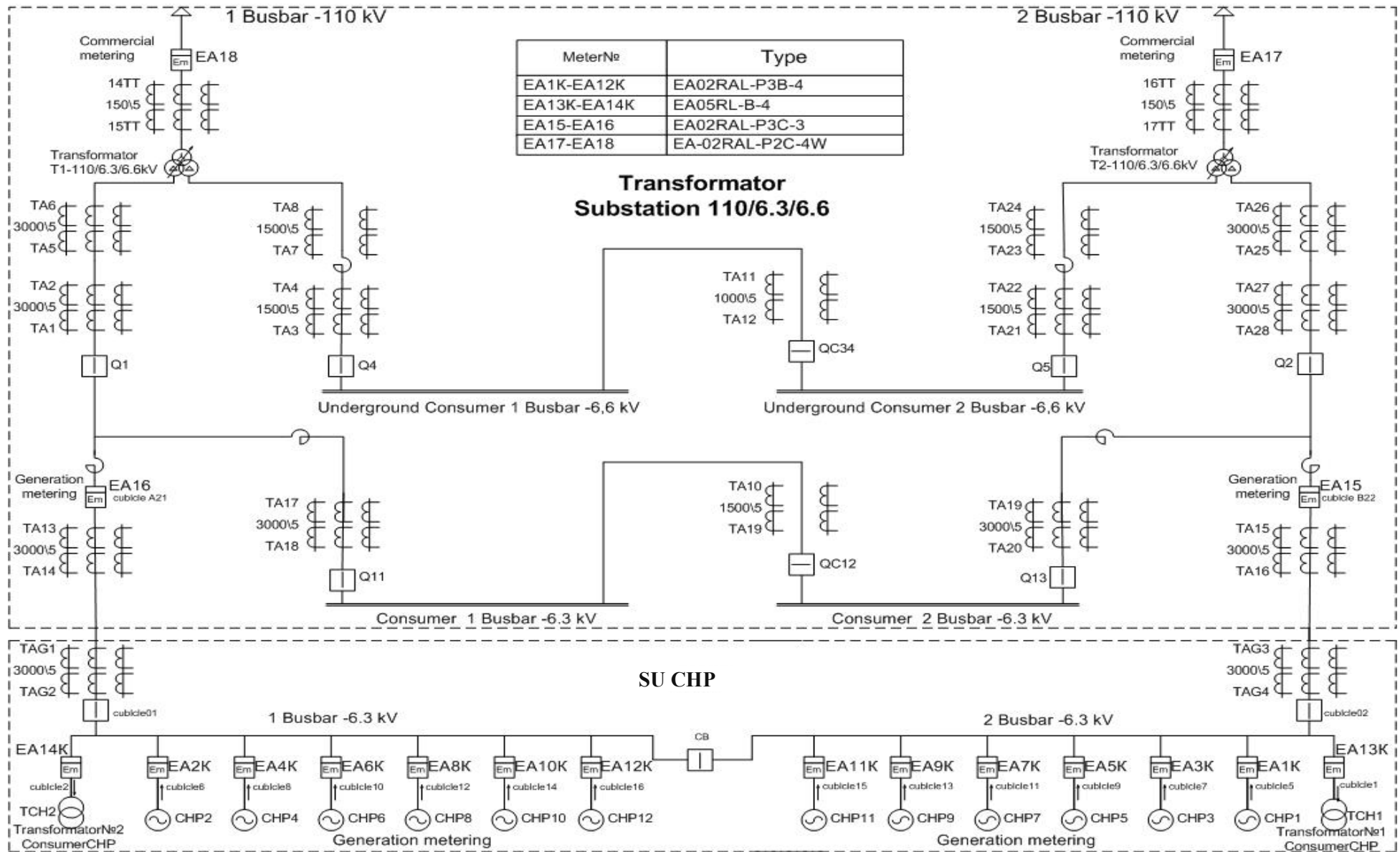


Figure 1: Electricity Metering Scheme for Vostochnaya SU CHP

JI MONITORING REPORT

Monitoring Report #9 "Utilization of Coal Mine Methane at the Coal Mine named after A.F. Zasyadko" page 13

Heat Meter Heat measurements

For this monitoring period, only heat is considered that was directly fed by Vostochnaya SU CHP, as described in paragraph A.7. Therefore, for this monitoring period, only one variable is measured that expresses heat amount fed by SU CHP system to heat supply pipelines, and is equal to heat amount consumed by Vostochnaya site.

Metering instrument	Work parameter Gcal	Manufacturer	Type	Serial number	accuracy	Date of installation	Date 01.08.2010 Gcal	Date 31.12.2010 Gcal	Difference	Date of calibration	Date of next calibr.	Remarks
Heat meter SA 94/2M ⁶	Amount of heat delivered to site system	ASWEGA	Mechatronic	22903	Heat- 4 Flow-2	N/A	134 119,81	149 138,73	15 018,92	04.06.09	04.06.11	T,V,Q (Total)

Calibration interval for heat meters is two years

⁶ For meter SA 94/2M DN=300mm; Q=1000m³/h

Heat Metering Scheme for Vostochnaya SU CHP Facility

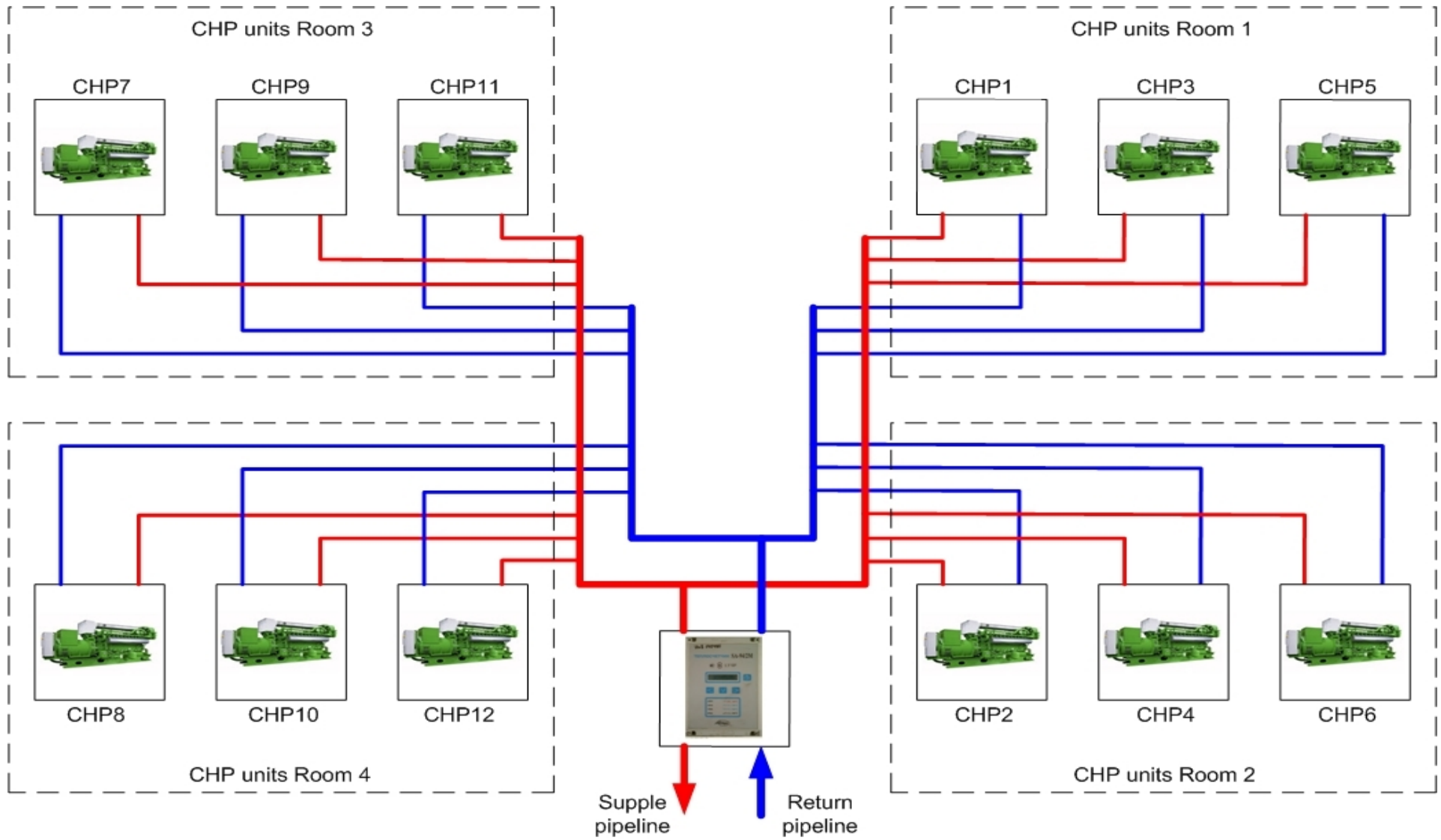


Figure 2: Heat Metering Scheme for Vostochnaya SU CHP Facility

**CMM Meters
Measurement of CMM consumption**

According to monitoring plan, two variables are measured:

- MM_{CHP}- measured amount of methane fed to units (tCH₄);
- MM_{GAS}- measured amount of methane fuelled in vehicles at new automotive gas filling stations (tCH₄).

Variable MM_{CHP} has two components: fuel gas consumption and ignition gas consumption. To determine the amount of pure consumed CH₄ (in tones) the amount of pure CH₄ (in m³) has to be measured under normal conditions⁷. The amount of pure CH₄ (in m³) can be measured (or more correctly: calculated) based on four parameters:

- Concentration (%) of CH₄ in the gas mixture
- Flow (m³) of gas mixture
- Temperature (°C) of gas mixture
- Pressure (bar) of gas mixture

In the scheme below the different meters and sensors are indicated that are installed at the Vostochnaya site. We can classify the different meters/sensors:

- Scheme of location of main primary meters/sensors that supply the data for determining the emission reductions as provided in section D of the Monitoring Report;
- General scheme of location of meters/sensors (with addition of secondary meters/ sensors) used for cross checking the data of the primary meters, as well as meters/sensors used to operated and control the installation.

The secondary meters/sensors are not of interest for monitoring purposes and are not mentioned further. In the table below the primary and secondary meters/sensors are indicated with their number which listed in the scheme.

	Primary meters/sensors	Secondary meters/sensors
Fuel gas		
Concentration (%)	ABB AO 2040 (A1)	K1-K6
Flow (V)	G1-G12	Gn1-Gn6
Temperature (T)	T6-T17	Gn5 sensor
Pressure (P)	P11-P22	P6(Gn5's sensor)
Unit for methane keeping (m3)	BKT.M ⁸ metering system	DBT equipment
Ignition gas		
Concentration (%)	ABB AO 2040 (A2)	ABB AO 2040 (A2)
Flow (V)	G13	
Temperature (T)	T2	
Pressure (P)	P10	
Unit for methane keeping (m3)	"Universal" ⁹ metering system	Pressure sensors on pipeline
AGFCP gas		
Concentration (%)	ABB AO 2040 (A2)	ABB AO 2040 (A2)
Flow (V)	G14	Calculations according to pressure difference
Temperature (T)	T1	
Pressure (P)	P5	Manometers at AGFCS
Unit for methane keeping (m3)	"Universal" ⁹ metering system	Calculations

Table 4: Primary and secondary (cross-checking) metering of CMM

⁷ Normal conditions=273K and 760 mm Hg.

⁸ BKT.M is designed for conversion of input data of gas parameters and calculation on the base thereof of amount and volumetric gas flow brought to standard conditions, in the composition of DRG.M meter.

⁹ Universal is designed for conversion of input data of gas parameters and calculation on the base thereof of amount and volumetric gas flow brought to standard conditions.

MM_{CHP} – is an amount of fuel gas consumption at each SU CHP unit, including one ignition gas metering device, represented as following:

$$MM_{CHP} = \left(\sum_1^{12} VM_n \times C_1 + V_1 \times C_2 \right) \times 0,7167 \times 0,93, \quad (3.)$$

where:

- VM_n — fuel gas consumption by separated SU CHP unit, brought to standard¹⁰ conditions (m³);
- $C_{1,2}$ — CH₄ concentration sensors (%);
- V_1 — amount of methane fed as ignition gas (m³);
- 0,7167 — methane density in normal conditions (kg/m³);
- 0,93 — standard conditions to normal conditions conversion ratio.

Fed MM_{GAS} to be measured as following:

$$MM_{GAS} = V_2 \times C_2 \times 0,7167 \times 0,93, \quad (4.)$$

where:

- V_2 — amount of methane fed as fuel for vehicles, in standard conditions (m³);
- C_2 — CH₄ concentration sensor (%);
- 0,7167 — methane density in normal conditions (kg/m³);
- 0,93 — standard conditions to normal conditions conversion ratio.

Sensors represented in tables, shown after general description of methane consumption process.

Cross-checking

Amount of methane used as fuel gas for SU CHP units undergoes cross checking. This operation is performed by way of measurement of total amount of gas consumption (m³), that is defined by flow meter Gn5 (for data about flow meter see table below), which has structure as block of velocity, pressure and temperature sensors that measure amount of gas consumed by SU CHP units and data on methane concentration in point A1 with gas analyzer AO 2040 (ABB). Amount of methane to be calculated on the base of these data, but it is not used for database formation; it is used only for technological purposes and for crosschecking and control of SU CHP operation systems. This procedure is carried out on regular basis. Summary results of the internal cross checking from 01.08.2010 until 31.12.2010 are presented in the table below

01.08.2010 - 31.12.2010				
month	Q Fuel Gas Consumption, m ³ /month	F Fuel Gas, Net Consumption, m ³ /month	Q Fuel Gas, Net Consumption, m ³ /month	Relative Difference in Readings Gn5*CH4/100 and \sum БКТ.М1- БКТ.М4, %
	Gn5	Gn5 * CH4/100	\sum БКТ.М1-БКТ.М4	
August 2010	13 995 130,19	4 373 617,81	4 372 849,85	0,02
September 2010	14 439 231,59	4 559 605,69	4 560 217,42	-0,01
October 2010	10 208 745,59	3 020 978,10	3 020 597,93	0,01
November, 2010	13 111 910,74	3 766 636,38	3 766 775,54	0,00
December 2010	11 009 395,27	3 167 194,19	3 166 657,41	0,02
Total	62 764 413,38	18 888 032,18	18 887 098,15	0,00

Table 5. Summary results of cross checking

Measurement System	Manufacturer	Type	Serial Number	Allowable uncertainty	Calibrati on Date	Next Calibration Date
ADM	Keuter	Electronic	167	heat – 0,25% pressure – 0,5%	02.07.10	02.07.11

Table 6. Flow meter Gn5

¹⁰ Standard conditions=293K and 760 mm Hg.

Scheme of location of main meters /sensors at Vostochnaya SU CHP in 2010

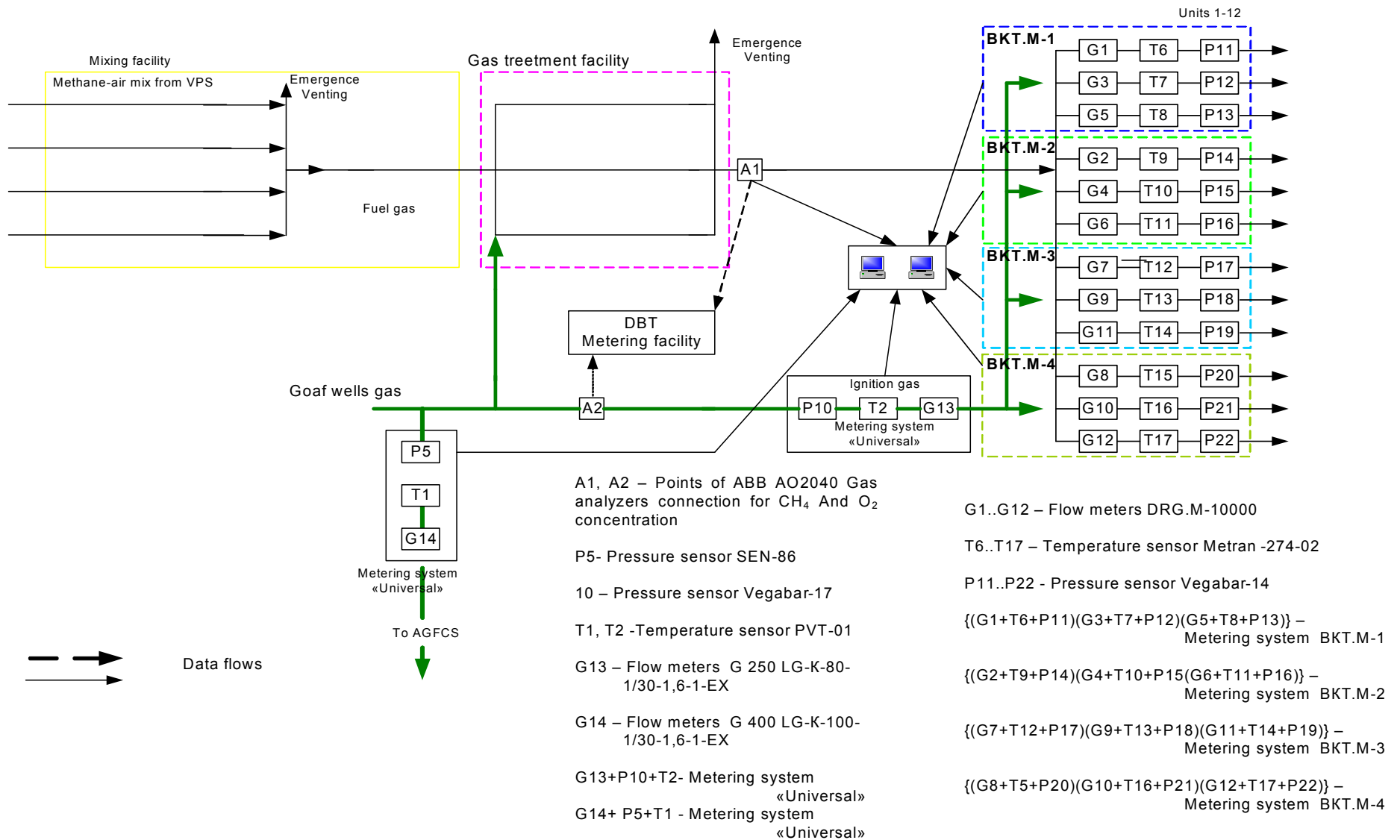


Figure 3: Scheme of location of primary meters/ sensors

General scheme of location of meters /sensors at Vostochnaya SU CHP in 2010

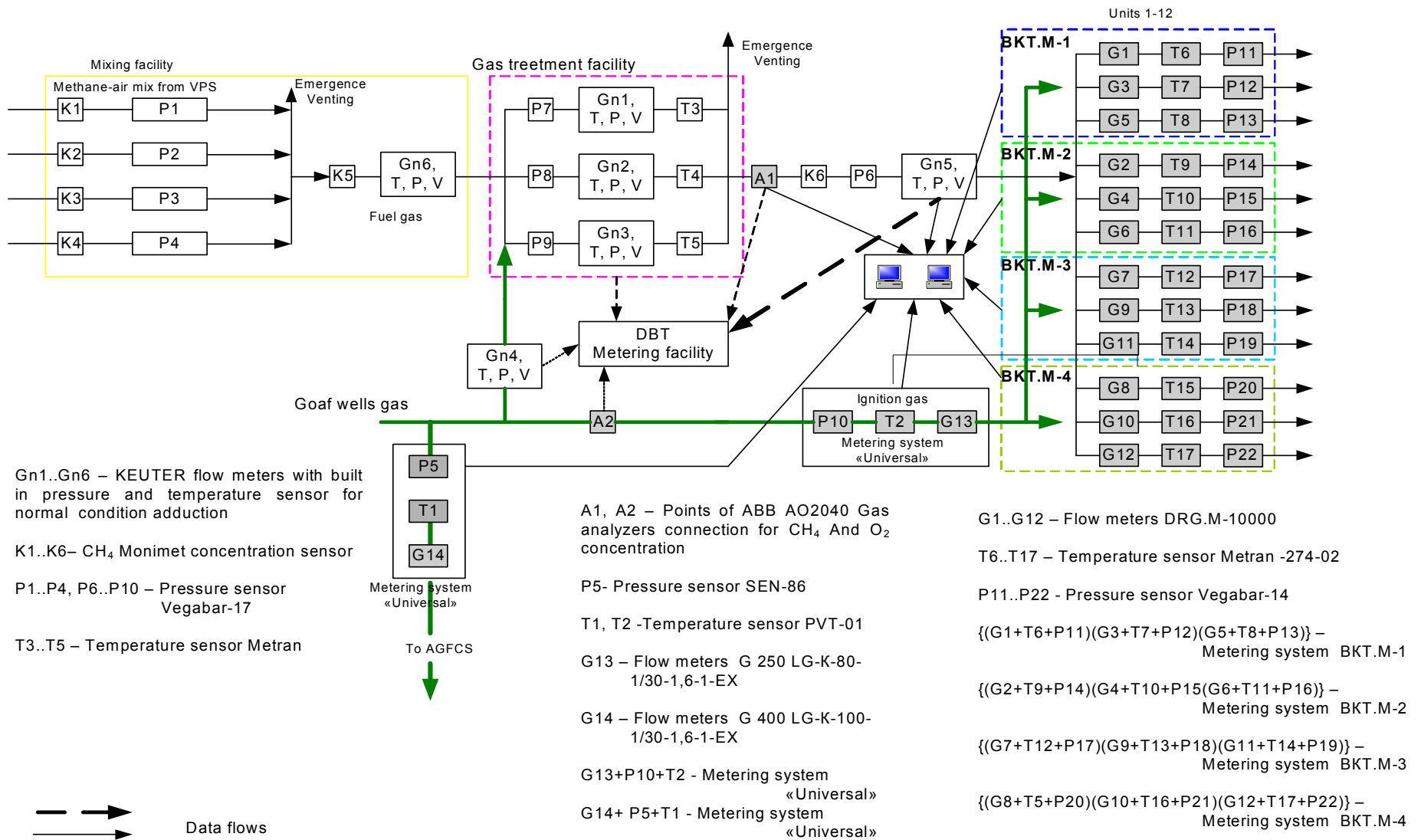


Figure 4: General scheme of location of meters/ sensors including secondary meters/sensors

The general flow of CMM and the metering can be described as follows.¹¹

Coal mine gas of degassing and gas-suction is supplied through four lines from two Vacuum Pump Station (VPS) to gas mixing section of the SU CHP gas treatment facility. The concentration and pressure of methane are different in each pipe-line. These parameters are measured by K1...K4 (Monimet) concentration sensors and P1...P4 (Vegabar) pressure sensors. Measurements data of these sensors are not used in gas metering and have technological meaning; these data are channeled to automatic control system of the dispatch and used only for controlling purposes in order to obtain at the output homogeneous fuel methane with necessary concentration.

Concentration of methane that is fed to the gas treatment facility is measured by the sensor K5 (Monimet); temperature, pressure and flow are measured by flow meters Gn6 (Keuter), a unit of velocity, pressure, and temperature sensors. Surface well methane is mixed with fuel gas, if increase of its concentration is required. Admix (flow), temperature, and pressure of surface well methane is measured by flow meter Gn4 (Keuter) a unit of velocity, pressure, and temperature sensors. The concentration of admix methane from surface wells is measured by gas analyzer AO 2040 (ABB) in A2 point (concentration of methane in admix and ignition gas are equal as these are included in common system of surface degasification- surface well gas methane). Having all this data the automatic control system of the dispatch can calculate amount of methane in the gas mixture.

At the gas treatment section of facility, methane is distributed between three lines where it is dried, cooled, cleaned and warmed. Acting flow measurements is provided by Gn1 - Gn3 (Keuter) flow meters together with velocity, pressure and temperature sensors. They transmit information to calculation equipment developed by DBT which is installed in separate premise. This unit calculates the values of actual consumption for normal conditions and channelled them to automatic control system of the dispatch computer system for operation and saving in database. For checking and reserve, pressure sensors P7 - P9 (Vegabar) and temperature sensors T3 - T5 (Metran) have been installed in pipelines.

At the outflow of gas treatment section the processing discharge valve is installed which levels out e pressure swings at abrupt changes of SU CHP operation regime. Pressure at the outflow of the section is controlled by processing sensor P6 (Vegabar).

With the purpose of fuel gas concentration definition, gas testing is made at the outflow of gas treatment section of facility in point A1 which is fed to gas analyzer AO 2040 (ABB) mounted at gas metering unit. Concentration measured is checked for the compliance with sensor K6 (Monimet). Flow meter Gn5 (Keuter) as a unit with velocity, pressure and temperature sensors, measures the gas amount used by SU CHP units. The methane amount is calculated based on the data of methane concentration but is not used for database establishment and metering, it is used only for technological purposes.

Further, fuel gas is supplied to the units of SU CHP engine rooms. The flow meters G1- G12, type DPG.M-10000. temperature sensors T6 - T17 (Metran 274-02), and pressure sensors P11 - P22 (Vegabar -14) are mounted on the line of each 12 units. Their data are transmitted to micro- processing control system BKT.M designed for transformation of input information about gas parameters and for calculation of the base thereof of amount and volumetric amount of gas flow brought to standard conditions to calculate fuel gas amount which is used by each unit, and total amount in each engine room. Fuel gas amount is calculated based on the data of methane concentration in it. Fuel gas amount calculation is performed on the base of data received from control units for gas record BKT.M1-BKT.M4, and concentration of methane therein as received from gas analyzer AO 2040 (ABB) in point A1. Total amount of fuel gas is calculated by way of addition of figures of all gas record units BKT.M, and serves as a figure of CHP gas methane utilized. This information is entered into database and logs.

Ignition gas is supplied to SU CHP units from gas pipes of surface degasification wells. Total ignition gas consumption is metered by system Universal designed for transformation of input information about gas parameters and for calculation of the base thereof of amount and volumetric amount of gas flow brought to standard conditions, which included gas metering device G13 (G 250 LG-K-80-1/30-1,6-1-Ex), temperature sensor T2 (PVT-01-1), and pressure sensor P10 (Vegabar-17). Gas concentration is metered by gas analyzer AO 2040 (ABB) with gas test in the point A2. Based on data received from metering system Universal, ignition gas automatic control system is kept, which gas is supplied to SU CHP units and recorded in database and log.

¹¹ From 2008, DBT equipment is used as equipment for operation and control of stations, as well as for crosschecking. Main meters are installed at each SU CHP unit, and they transmit data to metering systems of the gas record units BKT.M. Gas record units BKT.M transmit data to computer. Each gas record unit BKT.M covers 3 SU CHP units. These systems are operated with fuel gas. Ignition gas for all SU CHP units is metered with a new metering system Universal. All this data are stored in place, and are transmitted to CHP computer system.

Gas that is supplied for motor vehicles filling is also supplied from gas pipes of surface degasification wells. Total motor vehicle filling gas consumption G14 is metered by system Universal designed for transformation of input information about gas parameters and for calculation of the base thereof of amount and volumetric amount of gas flow brought to standard conditions, which included gas metering device G14 (G 400 LG-K-100-1/30-1,6-1-Ex), temperature sensor T2 (PVT-01-1), and pressure sensor P5 (CEN-8601). As the gas for vehicle fuelling and ignition gas fed to SU CHP units are of one system of surface degasification, gas concentration control is performed by gas analyzer AO 2040 (ABB) with gas test in the point A2. Based on data thereof, amount of methane fed to AGFCP for motor vehicle filling, is recorded in database and log.

Methane volume which is supplied with fuel gas and methane of ignition gas gives total amount of methane supplied to SU CHP Units.

Methane volume which is supplied with fuel gas and methane of ignition gas, methane for automobiles filling give total amount of methane consumed by Vostochnaya site of Zasyadko coal mine.



Figure 5: Gas flow meter DRG.M-10000¹² temperature sensor Metran 274-02 and pressure sensor Vegabar-14 of metering system for gas record BKT.M at fuel gas pipeline of SU CHP unit.

¹² DRG.M – 10000 — gas flow meter designed for transformation of volumetric flow of gas (at operational pressure) into numeric and impulsive signal.

JI MONITORING REPORT

Monitoring Report #9 "Utilization of Coal Mine Methane at the Coal Mine named after A.F. Zasyadko" page 21

In the table below the description of the meters/sensors of metering systems for gas record that are part of monitoring report drawing, are given:

CHP gas metering equipment

Gas Analyzers

Item No.	Metering instrument design	Work parameter	Manufacturer	Type	Serial number	Uncertainty level of data	Date of installation	Date of calibration	Date of next calibr.	Remarks
C1	Concentration of fuel gas	%	ABB	AO2040 Electronic	3.244705.5	±1%	2005	09.07.10	09.07.11	Connection A1
C2	Concentration of ignition gas	%	ABB	AO2040 Electronic	3.244704.5	±1%	2005	09.07.10	09.07.11	Connection A2

Calibration interval for gas analyzers is one year.

Ignition gas record system Universal meters/sensors

Item No.	Gas to be measured	Metering instrument design	Work parameter	Manufacturer	Type	Serial number	Uncertainty level of data	Date of installation	Date of calibration	Date of next calibr.	Remarks
V1	Ignition	Ignition gas amount measurement	m ³	NVP "GREMPIS" ltd	G 250 LGK-80-1/30-1,6-1-Ex	9771	±1% 60 to 400 m ³ /h	4 quarter 2007	10.03.09	10.03.11	Connection G13
		Ignition gas temperature measurement	°C	NVP "GREMPIS" ltd	PVT-01-1	6480	±0.5%	4 quarter 2007	10.03.09	10.03.11	Connection T2
		Ignition gas pressure measurement	bar	"VEGA" Germany	Vegabar-17	12307278	±0.5%	4 quarter 2007	09.03.10	09.03.11	Connection P10

Calibration interval for pressure sensor is one year.

Calibration interval for temperature sensor and gas meter is once in two years.

JI MONITORING REPORT

Monitoring Report #9 "Utilization of Coal Mine Methane at the Coal Mine named after A.F. Zasyadko" page 22

Motor vehicle filling gas metering system Universal meters/ sensors

Item No.	Gas to be measured	Metering instrument design	Work parameter	Manufacturer	Type	Serial number	Uncertainty level of data	Date of installation	Date of calibration	Date of next calibr.	Remarks
V2	Gas for motor vehicle filling	Gas for motor vehicle filling amount measurement	m ³	NVP "GREMPIS" ltd	G 400 LGK-100-1/30-1,6-1-Ex	9786	$\pm 1\%$ 97,5 to 650 m ³ /h	4 quarter 2007	15.07.09	15.07.11	Connection G14
		Gas for motor vehicle filling temperature measurement	°C	NVP "GREMPIS" ltd	PVT-01-1	211	$\pm 0.5\%$	4 quarter 2007	28.07.10	28.07.12	Connection T1
		Gas for motor vehicle filling pressure measurement	bar	"COBOLD" Germany	SEN-86	45	$\pm 0.5\%$	4 quarter 2007	28.07.10	28.07.11	Connection P5

Calibration interval for pressure sensor is one year.

Calibration interval for temperature sensor and gas meter is once in two years.

JI MONITORING REPORT

Monitoring Report #9 “Utilization of Coal Mine Methane at the Coal Mine named after A.F. Zasyadko” page 23

Gas volume and volumetric consumption computing block

Item No.	Metering system	Work parameter: m ³ /h	manufacturer	Type	Serial number	Uncertainty level of data and accuracy	Date of installation	Data as of 01.08.2010 m ³	Data as of 31.12.2010 m ³	Difference	Date of calibration	Date of next calibration	Remarks
V ₁	Universal	Ignition gas amount	NVP“GREMPIS” ltd	Universal -2	6023	±0.2 %	4 quarter 2007	4 977 366,6	5 866 986,6	889 620,0	10.03.09	10.03.11	Main metering block
V ₂	Universal	Motor vehicle fuelling gas amount	NVP“GREMPIS” ltd	Universal -2	327	±0.2 %	4 quarter 2007	6 612 329	7 457 355	845 026	28.07.10	28.07.12	Main metering block

Calibration interval-once in two years.

Gas volume and volumetric consumption computing blocks BKT.M-1 — BKT.M-4

Item No.	Metering system	Work parameter: m ³	Manufacturer	Serial number	Uncertainty level of data and accuracy	Date of installation	Unit No.	Data as of 01.08.2010 m ³	Data as of 31.12.2010 m ³	Difference	Date of calibration	Date of next calibration	Remarks
V ₃	BKT.M-1	Fuel gas amount	Sibnefteavtomatika, Russia	to 01.08.10 245	<ul style="list-style-type: none"> • Pressure channels, not exceeding ±0.3 %; • Temperature channels, not exceeding ±0.5 %; • Consumption channels, not exceeding ±0.1 %; • Gas consumption definition status brought to standard conditions, not exceeding ±0.35 %; • Gas amount definition status brought to standard conditions, not exceeding ±0.35 %; • Change of running time, not exceeding ±0.1 %. 	N/A	M1	data on the testimony BKT.M see below		21.08.07 07.09.10	07.09.13	Main metering block	
				M3			data on the testimony BKT.M see below		17.03.09				17.03.12
				M5			data on the testimony BKT.M see below		05.05.09				05.05.12
V ₄	BKT.M-2	Fuel gas amount	Sibnefteavtomatika, Russia	095		N/A	M2	18 918 378	22 198 704	3 280 326	20.01.09	20.01.12	Main metering block
							M4	11 322 030	17 171 774	5 849 744			
							M6	19 148 778	24 370 534	5 160 248			
V ₅	BKT.M-3	Fuel gas amount	Sibnefteavtomatika, Russia	100		N/A	M7	24 420 716	29 684 186	5 204 124	18.03.08	18.03.11	Main metering block
							M9	31 952 380	38 669 428	6 653 976			
							M11	31 185 198	36 909 120	5 723 922			
V ₆	BKT.M-4	Fuel gas amount	Sibnefteavtomatika, Russia	099		N/A	M8	25 084 004	31 045 742	5 961 738	05.08.08	05.08.11	Main metering block
							M10	22 582 598	29 260 138	6 614 618			
							M12	12 220 796	18 583 728	6 299 814			

Calibration interval-once in three years.

JI MONITORING REPORT

Monitoring Report #9 “Utilization of Coal Mine Methane at the Coal Mine named after A.F. Zasyadko” page 24

Meters/ sensors of fuel gas metering system BKT.M – 1

Item No	Metering system	Serial number	Unit No.	Data as of 01.08.2010 M ³	Data as of 01.08.2010 M ³	Difference	Serial number	Data as of 01.08.2010 M ³	Data as of 21.08.2010 M ³	Difference	Serial number	Data as of 21.08.2010 M ³	Data as of 31.12.2010 M ³	Difference	Σ fuel gas
V ₃	BKT.M-1	245	M1	35 886 688	35 886 688	0	5668	0	622 259,06	622 259,06	094	0	4 473 476	4 473 476	5 095 735
			M3	35 313 772	35 313 772	0		0	931 861,59	931 861,59		0	5 395 689	5 395 689	6 327 551
			M5	33 620 472	33 620 472	0		0	697 593,38	697 593,38		0	4 673 455	4 673 455	5 371 048

JI MONITORING REPORT

Monitoring Report #9 “Utilization of Coal Mine Methane at the Coal Mine named after A.F. Zasyadko” page 25

Item No.	Gas to be metered	Symbol on scheme	Metering device designation	Work parameter	Manufacturer	Type	Serial number	Allowed uncertainty	Date of installation	Date of calibration	Date of next calibration	Remarks
M1	Fuel	G1	Fuel gas amount measurement	m ³	Sibnefteavtomatika, Russia	DRG.M-10000 Electronic	102	±1.0%	N/A	19.08.09	19.08.11	Fuel gas metering system BKT.M-1
		T6	Fuel gas temperature measurement	°C	Metran Industrial Group, Russia	Metran -274-02	510745	±0,5%	N/A	22.07.10	22.07.11	
		P11	Fuel gas pressure measurement	bar	"VEGA" Germany	Vegabar 14	14536534	±0,5%	N/A	04.06.10	04.06.11	
M3	Fuel	G3	Fuel gas amount measurement	m ³	Sibnefteavtomatika, Russia	DRG.M-10000 Electronic	109	±1.0%	N/A	19.08.09	19.08.11	
		T7	Fuel gas temperature measurement	°C	Metran Industrial Group, Russia	Metran -274-02	510753	±0,5%	N/A	02.07.10	02.07.11	
		P12	Fuel gas pressure measurement	bar	"VEGA" Germany	Vegabar 14	14536342	±0,5%	N/A	04.06.10	04.06.11	
M5	Fuel	G5	Fuel gas amount measurement	m ³	Sibnefteavtomatika, Russia	DRG.M-10000 Electronic	103	±1.0%	N/A	19.08.09	19.08.11	
		T8	Fuel gas temperature measurement	°C	Metran Industrial Group, Russia	Metran -274-02	509669	±0,5%	N/A	22.07.10	22.07.11	
		P13	Fuel gas pressure measurement	bar	"VEGA" Germany	Vegabar 14	14447569	±0,5%	N/A	04.06.10	04.06.11	

Calibration interval of pressure and temperature sensor is one year.

Calibration interval of gas consumption sensors is once in two years.

(by calibration of DRG.M - 10000 at Ivano-Frankovskstandartmetrologia State-Owned Enterprise, calibration interval has been changed from 3 to 2 years).

JI MONITORING REPORT

Monitoring Report #9 “Utilization of Coal Mine Methane at the Coal Mine named after A.F. Zasyadko” page 26

Meters/ sensors of fuel gas metering system BKT.M – 2

Item No.	Gas to be metered	Symbol on scheme	Metering device designation	Work parameter	Manufacturer	Type	Serial number	Allowed uncertainty	Date of installation	Date of calibration	Date of next calibration	Remarks
M2	Fuel	G2	Fuel gas amount measurement	m ³	Sibnefteavtomatika, Russia	DRG.M-10000 Electronic	108	±1.0%	N/A	15.06.09	15.06.11	Fuel gas metering system BKT.M - 2
		T9	Fuel gas temperature measurement	°C	Metran Industrial Group, Russia	Metran -274-02	510735	±0.5%	N/A	21.07.10	21.07.11	
		P14	Fuel gas pressure measurement	bar	"VEGA" Germany	Vegabar 14	14568471	±0.5%	N/A	02.06.10	02.06.11	
M4	Fuel	G4	Fuel gas amount measurement	m ³	Sibnefteavtomatika, Russia	DRG.M-10000 Electronic	104	±1.0%	N/A	15.06.09	15.06.11	
		T10	Fuel gas temperature measurement	°C	Metran Industrial Group, Russia	Metran -274-02	509670	±0.5%	N/A	21.07.10	21.07.11	
		P15	Fuel gas pressure measurement	bar	"VEGA" Germany	Vegabar 14	14536186	±0.5%	N/A	02.06.10	02.06.11	
M6	Fuel	G6	Fuel gas amount measurement	m ³	Sibnefteavtomatika, Russia	DRG.M-10000 Electronic	097	±1.0%	N/A	15.06.09	15.06.11	
		T11	Fuel gas temperature measurement	°C	Metran Industrial Group, Russia	Metran -274-02	510733	±0.5%	N/A	21.07.10	21.07.11	
		P16	Fuel gas pressure measurement	bar	"VEGA" Germany	Vegabar 14	14536368	±0.5%	N/A	02.06.10	02.06.11	

Calibration interval of pressure and temperature sensor is one year.
 Calibration interval of gas consumption sensors is once in two years.

JI MONITORING REPORT

Monitoring Report #9 “Utilization of Coal Mine Methane at the Coal Mine named after A.F. Zasyadko” page 27

Meters/ sensors of fuel gas metering system BKT.M – 3

Item No.	Gas to be metered	Symbol on scheme	Metering device designation	Work parameter	Manufacturer	Type	Serial number	Allowed uncertainty	Date of installation	Date of calibration	Date of next calibration	Remarks
M7	Fuel	G7	Fuel gas amount measurement	m ³	Sibnefteavtomatika, Russia	DRG.M-10000 Electronic	098	±1.0%	N/A	17.07.09	17.07.11	Fuel gas metering system BKT.M - 3
		T12	Fuel gas temperature measurement	°C	Metran Industrial Group, Russia	Metran -274-02	510744	±0,5%	N/A	21.07.10	21.07.11	
		P17	Fuel gas pressure measurement	bar	"VEGA" Germany	Vegabar 14	14568573	±0,5%	N/A	03.06.10	03.06.11	
M9	Fuel	G9	Fuel gas amount measurement	m ³	Sibnefteavtomatika, Russia	DRG.M-10000 Electronic	099	±1.0%	N/A	17.07.09	17.07.11	
		T13	Fuel gas temperature measurement	°C	Metran Industrial Group, Russia	Metran -274-02	510742	±0,5%	N/A	21.07.10	21.07.11	
		P18	Fuel gas pressure measurement	bar	"VEGA" Germany	Vegabar 14	14536304	±0,5%	N/A	03.06.10	03.06.11	
M11	Fuel	G11	Fuel gas amount measurement	m ³	Sibnefteavtomatika, Russia	DRG.M-10000 Electronic	101	±1.0%	N/A	17.07.09	17.07.11	
		T14	Fuel gas temperature measurement	°C	Metran Industrial Group, Russia	Metran -274-02	510738	±0,5%	N/A	21.07.10	21.07.11	
		P19	Fuel gas pressure measurement	bar	"VEGA" Germany	Vegabar 14	14568610	±0,5%	N/A	03.06.10	03.06.11	

Calibration interval of pressure and temperature sensor is one year.
 Calibration interval of gas consumption sensors is once in two years.

JI MONITORING REPORT

Monitoring Report #9 “Utilization of Coal Mine Methane at the Coal Mine named after A.F. Zasyadko” page 28

Meters/ sensors of fuel gas metering system BKT.M – 4

Item No.	Gas to be metered	Symbol on scheme	Metering device designation	Work parameter	Manufacturer	Type	Serial number	Allowed uncertainty	Date of installation	Date of calibration	Date of next calibration	Remarks
M8	Fuel	G8	Fuel gas amount measurement	m ³	Sibnefteavtomatika, Russia	DRG.M-10000 Electronic	105	±1.0%	N/A	01.07.09	01.07.11	Fuel gas metering system BKT.M - 4
		T15	Fuel gas temperature measurement	°C	Metran Industrial Group, Russia	Metran -274-02	510754	±0,5%	N/A	23.07.10	23.07.11	
		P120	Fuel gas pressure measurement	bar	"VEGA" Germany	Vegabar 14	14568589	±0,5%	N/A	04.06.10	04.06.11	
M10	Fuel	G10	Fuel gas amount measurement	m ³	Sibnefteavtomatika, Russia	DRG.M-10000 Electronic	096	±1.0%	N/A	01.07.09	01.07.11	
		T16	Fuel gas temperature measurement	°C	Metran Industrial Group, Russia	Metran -274-02	510755	±0,5%	N/A	23.07.10	23.07.11	
		P21	Fuel gas pressure measurement	bar	"VEGA" Germany	Vegabar 14	14536306	±0,5%	N/A	04.06.10	04.06.11	
M12	Fuel	G12	Fuel gas amount measurement	m ³	Sibnefteavtomatika, Russia	DRG.M-10000 Electronic	100	±1.0%	N/A	01.07.09	01.07.11	
		T17	Fuel gas temperature measurement	°C	Metran Industrial Group, Russia	Metran -274-02	510747	±0,5%	N/A	23.07.10	23.07.11	
		P22	Fuel gas pressure measurement	bar	"VEGA" Germany	Vegabar 14	14568606	±0,5%	N/A	04.06.10	04.06.11	

Calibration interval of pressure and temperature sensor is one year.
 Calibration interval of gas consumption sensors is once in two years.

The monitoring system for the emission reductions achieved in the course of the project implementation has been integrated in the Zasyadko Coal Mine existing controlling and reporting system. That allows for obtaining reliable and easy verifiable data related to the project performance, ensuring thus the quality and efficiency of the monitoring system.

All source information on performance parameters and calculations have been obtained directly on site and after that reported to the Coal Mine dispatching office. The work parameters of CMM flows as well as heat and power generated will be crosschecked to provide quality and reliability of monitored data. To ensure reliable and non-stop performance of cogeneration plant the inputs of natural gas from the natural gas pipeline are envisaged.

CMM consumption of gas filling stations

Each gas filling station keeps records in the register. Calculations of methane fuelled are executed according to data pressure difference of manometers. Concentration of methane is measured monthly with ABB AO 2040 in SU CHP units and surface well gas analysis. Besides, the concentration of methane is measured locally with an interferometer. Temperature and pressure meters are installed too. The volume of methane is measured by “Universal-2” metering system.

B.1.3. Calibration procedures

For Electricity Meters:

QA/QC (Quality Assurance/ Quality Control) procedures	Body responsible for calibration and certification
Calibration interval of such meters is six years. Calibration procedures for meters are implemented in compliance with calibration methodology developed for “Elster-Metronika” meters, Russia. Calibration interval for such meters is once per 72 months.	Donetsk Centre for Standardization, Metrology and Certification

For Heat Meters

QA/QC (Quality Assurance/ Quality Control) procedures	Body responsible for calibration and certification
Calibration interval of such meters is two years. Calibration procedures for meters are implemented in compliance with calibration methodology developed for ASWEGA meters, Russia. Calibration interval for such meters is once per 24 months.	Donetsk Centre for Standardization, Metrology and Certification

For CMM meters:

QA/QC (Quality Assurance/ Quality Control) procedures	Body responsible for calibration and certification
Keuter ADM1 Electronic. Calibration interval of such meters is 12 months ¹³	Donetsk Centre for Standardization, Metrology and Certification
Gas Analyzer ABB A02040. Calibration interval of such meters is 12 months ¹⁴ .	Donetsk Centre for Standardization, Metrology and Certification
Gas Record Unit BKT.M. Calibration interval for such meters is once per 36 months.	Tyumen Centre for Standardization, Metrology and Certification
«Universal» Metering System. Calibration interval for such meters is once per 24 months.	Donetsk Centre for Standardization, Metrology and Certification

¹³ As there is no state regulation for such kind of equipment there was a decision of Ukrainian Centre for Standardization and Metrology for one year calibration period.

¹⁴ All metering equipment shall be calibrated subject to provisions and methods as defined by regulations of this centre.

B.1.4. Involvement of Third Parties:

- Donetsk Centre for Standardization, Metrology and Certification;
- Ivano-Frankovsk Scientific and Production Centre Standardization, Metrology and Certification;
- Tyumen Centre for Standardization, Metrology and Certification.

B.2. Data collection (accumulated data for the whole monitoring period):

For the operational and management structure of the project see PDD Version 4.4, Figure 9: *Monitoring and quality control system for Vostochnaya and Yakovlevskaya sites*

B.2.1. List of fixed default values:

ID number	Date variable	Source of data	Date unit	Comment
P6 CEF _{CH4}	Carbon emission factor for combusted methane	2006 IPCC Guidelines for National Greenhouse Gas Inventories. Volume 2: Energy Chapter 4: Fugitive Emissions	tCO ₂ e/tCH ₄	Set at 2.75 tCO ₂ e /tCH ₄ See also table CMM meters
P12 Eff _{CHP}	Efficiency of methane destruction/oxidation in SU CHP	2006 IPCC Guidelines for National Greenhouse Gas Inventories. Volume 2: Energy Chapter 4: Fugitive Emissions	%	Set at 99.5%
P14 Eff _{GAS}	Overall efficiency of methane destruction/oxidation at the vehicles	2006 IPCC Guidelines for National Greenhouse Gas Inventories. Volume 2: Energy Chapter 4: Fugitive Emissions	%	Set at 98.5%
P15 GWP _{CH4}	Global warming potential of methane	2006 IPCC Guidelines for National Greenhouse Gas Inventories. Volume 2: Energy Chapter 4: Fugitive Emissions	tCO ₂ e/tCH ₄	Set at 21

Table 7: Project Default Values

ID number	Date variable	Source of data	Date unit	Comment
B13 F _{grid,generated,y}	Emissions factor of electricity of replaced grid electricity production by the project activity in year	See Annex 2 PDD	tCO ₂ /MWh	Set at 0,807
B14 EF _{grid,reduced,y}	Emissions factor of electricity of replaced on-site electricity consumption by the project activity	See Annex 2 PDD	tCO ₂ /MWh	Set at 0,896
B20 EF _{heat,vost}	Emissions factor for heat at Vostochnaya site in the baseline scenario	See Annex 2 PDD	tCO ₂ /GJ	Boiler efficiency 90% Set at 0,063
B22 EF _{heat,yak}	Emissions factor for heat at Yakovlevskaya site in the baseline scenario	See Annex 2 PDD	tCO ₂ /GJ	Boiler efficiency 90% Set at 0,063
B24 EF _{heat,centr}	Emissions factor for heat at Centralnaya site in the baseline scenario	See Annex 2 PDD	tCO ₂ /GJ	Boiler efficiency 90% Set at 0,143
B25 VFUEL _y	Vehicle fuel provided by the project activity	Fuel Meters	GJ	This value will be calculated based MM _{GAS} of the project scenario multiplied with LHV of methane
B26 EF _v	Emissions factor for vehicle operation replaced by the project activity	2006 IPCC	tCO ₂ /GJ	See annex 2 PDD Set at 0,072

Table 8: Baseline Default Values

B.2.2. List of variables:

Project emissions variables to be measured:

- MM_{CHP} — Methane measured sent to power plant (tCH₄);
- MM_{GAS} — Methane measured supplied to gas grid for vehicle use (tCH₄).

Baseline emissions variables to be measured:

- GEN_{CHP} — Net electricity generated by the project activity by the CHP plants;
- $El_{Consumed}$ — Net electricity consumed by the mine on-site;
- $HEAT_{consumed, \text{vost}, y}$ — Heat consumed at Vostochnaya site delivered by the project year y

B.2.3. Date concerning GHG emissions by sources of the project activity:

Year	MM_{GAS} (tCH ₄)
Total: 01.08.2010 – 31.12.2010	563

Table 9: Data to be collected in the project scenario

Year	MM_{CHP} (tCH ₄)
Total: 01.08.2010 – 31.12.2010	14 129

Table 10: Data to be collected in the project scenario

For Methane analysis data refer please to Annex 1 document.

B.2.4. Date concerning GHG emissions by sources of the baseline:

Year	GEN_{CHP} (MWh)	El_{Cons} (MWh)	$HEAT_{cons, \text{vost}, y}$ (GJ)
Total: 01.08.2010 – 31.12.2010	65 990,272	81 976,768	62 881

Table 11: Data collected in the baseline scenario

B.2.5. Date concerning leakage:

Not Applicable.

B.2.6. Date concerning environmental impacts:

All activity under the project is performed subject to Ukrainian current environmental law. At construction of SU CHP and AGFCP, Environmental Impact Assessment has been performed. Pursuant to Atmospheric Air Protection Law of Ukraine, as approved by Ukrainian Board of Ministers on March 13, 2002 # 302 and Order of Ukrainian Ministry of Environmental Protection dd. 09.03.2006 # 108. Mine obtains allowances for emission of contaminating substances. Pollutant emissions inventory conducted with the assistance of third-party certified company that provides screening and analysis of samples contaminants pollutant substance with own attorney equipment.

Reporting an monitoring of emissions is performed constantly; all statistical reports are prepared and submitted pursuant to Guide to Filling In the State Statistical Control Statements for Atmospheric Air N #2 - TP (air) (annual) and # 2- TP (air) (quarterly) Atmospheric Air Protection Report issued by Derzhkomstat (State Committee of Statistics) # 674 dd. 30.12.2004.

The impact of the project to the condition of waters is insignificant due tot use of water for domestic needs only. At SU CHP, Grid Water Consumption Metering Device Reading Log is kept; data therefrom are used for preparation of statistical reports. Environmental Impact monitoring for water condition is performed and all statistic report statements are submitted pursuant to the current law of Ukraine.

During project implementation, measures are established that relate to domestic activity only (service and repair of equipment), and household activity. Monitoring of waste is performed, and statistical report statements are submitted: # N 1-VT "Waste and Package and Tare Accounting pursuant to the current law of Ukraine.

B.3. Data processing and archiving (incl. software used):

All dispatchers are responsible for data management. Besides, dispatchers prepare standard daily, weekly, monthly, and annual reports. All appropriate data are collected daily, and archived both in electronic and paper form (see CO₂ calculation) All data will be saved in electronic data carriers and in paper form at least two years after implementation of this project will be completed. Passwords at servers are to be changed monthly; each server has appointed person in charge having an access thereto

Commissioning of modern computer control system will provide efficient online monitoring and performance efficiency analysis. Data from all controlling equipment are automatically transferred to database with the aid of appropriate software:

1. Checker 8 (integrated software developed and written by the manufacturer; to be supplied with the Universal control unit) – ignition gas and AGFCP gas record -keeping;
2. Alfa- Center measuring and computing complex integrated into ASKUE (common mine automatic system of power commercial record -keeping) - power record -keeping;
3. DIA.NE.XT (software delivered with CHP units)– control, regulation, indication, setting, and saving of data for CHP unit.

For calculation of greenhouse (GHG) emission reductions, Automated Control Service at SU CHP has developed own Data Transfer and Processing Automated System (DTPAS) which provides calculation of fuel gas and heat.

B.4. Special event log:

On 01.08.2010, substitution of BKT.M # 245 for BKT.M# 5668 was performed, because it has been sent for state calibration to Tyumen Centre for Standardization, Metrology and Certification.

On 21.08.2010, substitution of BKT.M # 5668 for BKT.M # 094 was performed, because of failure of 485 interface. BKT.M # 5668 has been sent to manufacturer for repair.

SECTION C. Quality assurance and quality control measures:

C.1. Documented procedures and management plan:

C.1.1. Roles and responsibilities:

General project management is implemented by the Deputy General Director of the Lease Enterprise "Coal Mine named after A.F. Zasyadko" through supervising and coordinating activities of his subordinates, such as deputy director on surface degasification, chief power engineer, chief heating engineer, and heads of safety engineering departments.

On-site day-to-day management is implemented by the director of SU CHP and by two shift operators responsible for cogeneration units and gas treatment plant performance. Maintenance and servicing of all process equipment, measurement devices and automation and telemechanics are performed in daytime by employees of the departments of mechanic, power engineer, heat engineer and Process Automated Control System of SU CHP. On-line information transmitted directly to the dispatcher of the shift. The cogeneration plant is in 24 hours operation.

At the main objects the responsibilities are as follows:

- AGFCP operator controls and prepares data and transfers them to SU CHP Dispatcher Office and manually performs gas record keeping log;
- Two dispatchers of SU CHP control data on gas treatment, operational process parameters, and heat and power output; they perform daily manual keeping of logs for consumption of fuel, ignition gas, and gas consumed by AGFCP;
- Substation 110/6,3/6,6 kV operator control data on electric power amounts dispatched to and supplied from the grid as well as in-house electricity consumption.

All information is transferred to SU CHP dispatching office, and is controlled in online mode by shift foreman. Based on information provided by dispatching office, monitoring engineer prepares monthly and annual reports about monitoring of power, gas, heat and emissions, and provides them to SU CHP Director and Lease Enterprise Mine named after A.F. Zasyadko General Director Deputy. General supervision over monitoring system is carried out by management of Zasyadko Coal Mine according to control and reporting system in place.

Monitoring Data Flowchart is shown below.

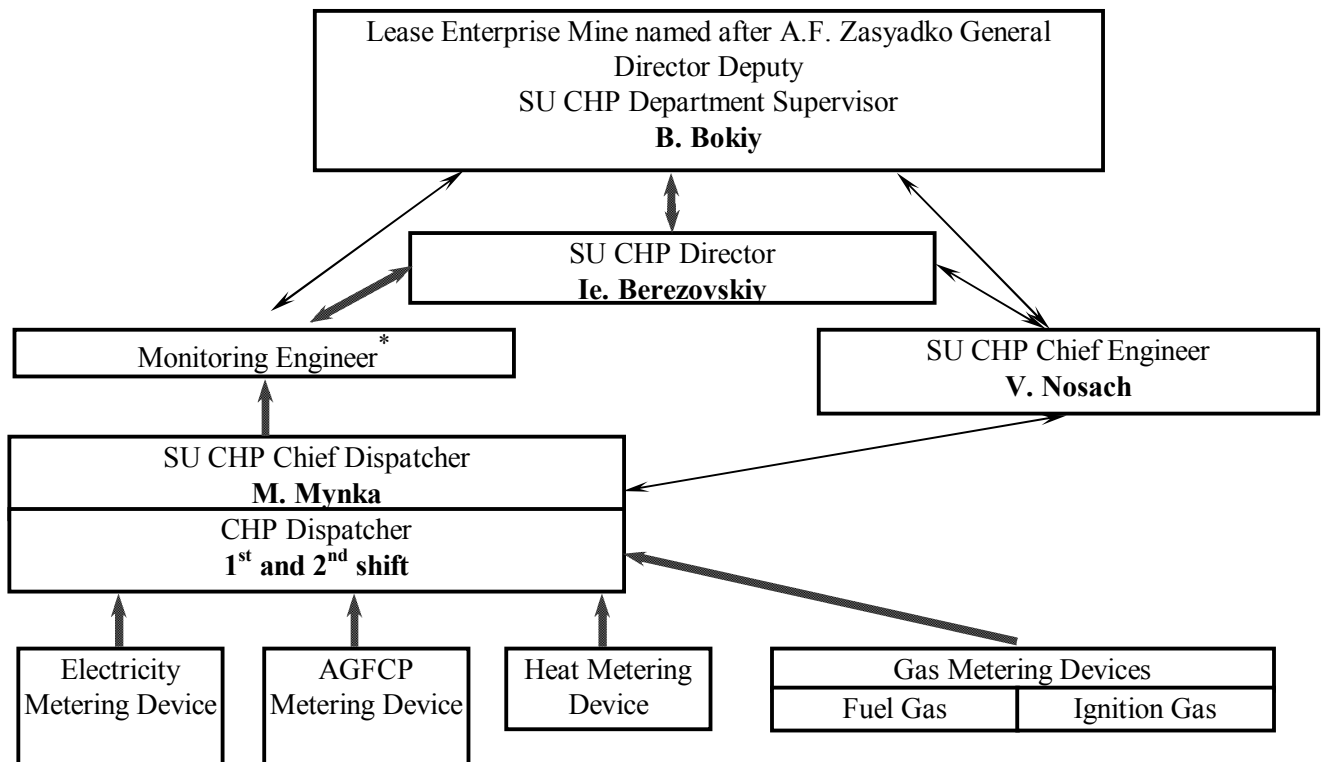


Figure 6: Monitoring Dataflow Chart

*For 2010, this duty is performed by **V. Cherednikov**, Gas Treatment Lead Engineer.

C.1.2. Trainings:

GE Jenbacher (Austria) has delivered SU CHP main equipment being SU CHP units. As specified in the contract, training of staff that operates these units was performed in Austria. GE Jenbacher technicians have performed extra training during installation and commissioning works. Employees in charge for monitoring control have also passed training during installation of the said system.

Extra training is performed during equipment operation. SU CHP and VPS staff training program, as well as emergency training, are submitted as separate document represented as EMISSION MONITORING MANUAL for SU CHP at Lease Enterprise Mine named after A.F. Zasyadko (Manual 2), which also includes structural diagram of technical maintenance provision and state calibration of meters of automated metering system.

SU CHP Chief Dispatcher is responsible for training program development. Training programs required approval of SU CHP Director.

Safety measure training is performed once every three months; all employees pass an exam in safety measures once a year. Staff and visitors are provided with individual protection devices for protection from harmful factors of activity.

C.2. Involvement of Third Parties:

Donetsk Centre for Standardization, Metrology and Certification, Ivano-Frankovsk Centre for Standardization, Metrology and Certification, Tyumen Centre for Standardization, Metrology and Certification are Third Parties involved.

C.3. Internal audits and control measures:

Introduction of a modern computerized control system allows for efficient on-line monitoring and reviewing work process performance at the Zasyadko Coal Mine Central Dispatching office every fifteen minutes. (Especially for fuel and ignition gas consumption, their parameters and electricity and heat generated, data can be obtained every 10 seconds if requested). Any considerable deviation of monitored data from given work parameters will be promptly noticed and source of such deviation will be easily identified. In turn, this enables the head of shift to coordinate efficiently the adjustment actions of his shift subordinates including on-duty technical staff that will improve work process and eliminate such deviations. This system improved operational process and eliminated lacks in control of SU CHP gas consumption.

C.4. Troubleshooting procedures¹⁵

See C .1.2

In case of a break down of CMM supply system (either of whole system or separate feeding pipe) methane-air mixture will be urgently released into the atmosphere through the emergency gas vent stack. The shut-off valves will automatically close CMM supply pipes, natural gas will be fed into gas treatment plant and consequently into the inlets of engines and into pre-chambers. As the main gas record blocks (figure 3) are after the venting stack, only combusted CMM will be accounted for.

¹⁵ At SU CHP, the equipment of the same type is installed, for substitution of main equipment for short period in case of breakdown or calibration- electricity and heat meters, CMM metering equipment, pressure, temperature sensors, etc. These devices, being connected to or installed, are able to transfer all data to monitoring and control computer system. Equipment is in certain period also calibrated by Donetsk Centre for Standardization, Metrology and Certification, Ivano-Frankovsk Centre for Standardization, Metrology and Certification, Tyumen Centre for Standardization, Metrology and Certification

SECTION D. Calculation of GHG emission reductions

D.1. Project emissions

The project emissions of the project are given by the following equation. The emissions for the use to capture and use methane PE_{ME} have not been taken as the energy use for the vacuum pumps are outside the project boundary (see section B.3 of PDD) and the annual electricity consumption of the gas filling station results in emission below 2,000 tCO₂e.

$$PE_y = PE_{MD} + PE_{UM} , \tag{5.}$$

where:

- PE_y - project emission in year y (tCO₂e)
- PE_{MD} - project emissions from methane destroyed (tCO₂e);
- PE_{UM} - project emissions from un-combusted methane (tCO₂e)

The project emissions from methane destroyed

The project emissions from methane destroyed are given by the equation below. Methane will be destroyed at SU CHP; thus, MD_{ELEC} and MD_{HEAT} are combined into MD_{CHP}. No flaring takes place so MD_{FL} = 0.

$$PE_{MD} = (MD_{CHP} + MD_{GAS}) \times (CEF_{CH4} + r \times CEF_{NMHC}) , \tag{6.}$$

At $r = PC_{NMHC} / PC_{CH4}$

where:

- PE_{MD} - project emissions from CMM destroyed (tCO₂e);
- MD_{CHP} - methane destroyed at SU CHP (tCH₄);
- MD_{GAS} - methane destroyed by the vehicles supplied by the new gas filling stations (tCH₄);
- CEF_{CH4} - carbon emission factor for combusted methane (2.75 tCO₂e/tCH₄);
- CEF_{NMHC} - carbon emission factor for combusted non-methane hydrocarbons (the concentration varies, and, therefore, to be obtained through periodical analysis of captured methane) (tCO₂eq/tNMHC)¹⁶;
- r - relative proportion of NMHC compared with methane;
- PC_{CH4} - concentration (in mass) of methane in extracted gas (%);
- PC_{NMHC} - concentration (in mass) of NMHC in extracted gas (%).

The relative proportion of NMHC was monitored, and their concentration is less than 1%. Therefore, NMHC were excluded from calculation. So:

$$PE_{MD} = (MD_{CHP} + MD_{GAS}) \times CEF_{CH4} , \tag{7.}$$

Emissions of SU CHP units

The emissions of SU CHP units are given by following equations:

$$MD_{CHP} = MM_{CHP} \times Eff_{CHP} , \tag{8.}$$

where :

- MD_{CHP} - methane destroyed at heat and power generation (tCH₄);
- MM_{CHP} - methane measured sent to SU CHP (tCH₄);
- Eff_{CHP} - efficiency of methane destruction/ oxidation in SU CHP units (taken as 99.5% of IPCC).

D.2. Emissions of gas utilization

Some methane will be supplied to the gas filling stations that will supply the vehicles. The emissions as a result are given by the following equations.

¹⁶ At the moment, non-methane hydrocarbons are not included in calculation because of concentration less than 1%. Their concentration is checked quarterly with laboratory analyses. In case of concentration more than 1%, it will be considered in calculations.

$$MD_{GAS} = MM_{GAS} \times Eff_{GAS} , \quad (9.)$$

where:

- MD_{GAS} - methane destroyed by the vehicles supplied by the gas filling stations (tCH₄);
- MM_{GAS} - methane measured supplied to vehicles supplied by the gas filling stations (tCH₄);
- Eff_{GAS} - overall efficiency of methane destruction/ oxidation through gas grid to various combustion end uses, combining fugitive emissions from the gas grid and combustion efficiency at end user (taken as 98.5% of IPCC).

Emissions from un-combusted methane.

$$PE_{UM} = GWP_{CH4} \times (MM_{CHP} \times (1 - Eff_{CHP}) + MM_{GAS} \times (1 - Eff_{GAS})) , \quad (10.)$$

where:

- PE_{UM} - project emissions from un-combusted methane (tCO₂e);
- GWP_{CH4} - global warming potential of methane (21 tCO₂e/tCH₄);
- MM_{CHP} - methane measured sent to use in SU CHP units (tCH₄);
- Eff_{CHP} - efficiency of methane destruction in SU CHP units (taken as 99.5% of IPCC);
- MM_{GAS} - methane measured sent to use for gas filling (tCH₄);
- Eff_{GAS} - efficiency of methane destruction in vehicle usage (taken as 98.5% of IPCC).

D.3.1. Project emissions:

Year	[tCO ₂ e/year]	
Total: 01.08.2010 – 31.12.2010	[tCO ₂ e]	41 848

Table 12: Project emissions

D.3.2. Baseline emissions:

The baseline emissions are given by following equation. There is no destruction of methane in baseline scenario at the mine, $BE_{MD,y} = 0$

$$BE_y = BE_{MR,y} + BE_{Use,y} , \quad (11.)$$

where:

- BE_y - baseline emissions in year y (tCO₂e);
- $BE_{MR,y}$ - baseline emissions from release of methane into the atmosphere that are avoided by the project activity in year y (tCO₂e);
- $BE_{Use,y}$ - baseline emissions from the production of power, heat replaced by the project activity in year y (tCO₂e).

Baseline emissions of methane avoided by the project activity.

As there is neither CBM (coal bed methane) nor CMM (coal mine methane) at the mine, the emissions equal the amount of post-mining CMM captured in the project activity that is sent to SU CHP and the gas filling stations.

$$BE_{MR,y} = GWP_{CH4} \times (CMM_{PJ,CHP,y} + CMM_{PJ,GAS,y}) , \quad (12.)$$

where :

- $CMM_{PJ,CHP,y}$ - post-mining CMM captured, sent to and destroyed in SU CHP units in the project activity in year y (tCH₄);
- $CMM_{PJ,GAS,y}$ - pre-mining CMM captured, supplied to the net gas filling stations and destroyed by the vehicles in the project activity in year y (tCH₄);
- GWP_{CH4} - global warming potential for methane (=21 tCO₂e/tCH₄).

Baseline emissions of replacement of electricity, heat and vehicle fuel by the project activity

As there is only post-mining CMM involved the baseline emissions are given in the following equation:

$$B_{Use,y} = BE_{Use,el,y} + BE_{Use,heat,y} + BE_{Use,gas} \quad (13.)$$

where:

- $BE_{Use,y}$ - potential total baseline emissions from the production of power, heat, and vehicle fuels replaced by the project activity in year y (tCO₂);
- $BE_{Use,el,y}$ - total baseline emissions from the production of power, replaced by the project activity in year y (tCO₂);
- $BE_{Use,heat,y}$ - total baseline emissions from the production of heat, replaced by the project activity in year y (tCO₂);
- $BE_{Use,gas}$ - total baseline emissions of vehicle fuels, replaced by the project activity in year y (tCO₂e).

Baseline emissions of replacement of electricity (power)

Baseline emissions of replacement of electricity by the project activity are given by two equations. When the amount of electricity generated in a year by the project activity is less than the total amount of electricity consumed by mine, the baseline emissions are as follows:

$$BE_{Use,el,y} = GEN_{CHP,y} \times EF_{grid,reduced} \quad (14.)$$

When the amount of electricity generated in year by the project activity is more than total amount of electricity consumed by mine (i.e. electricity will be supplied to the grid), the baseline emissions are as follows:

$$BE_{Use,el,y} = (GEN_{CHP,y} - EL_{cons,y}) \times EF_{grid,produced,y} + EL_{CONS,y} \times EF_{grid,reduced,y} \quad (15.)$$

where:

- $BE_{Use,el,y}$ - total baseline emissions from the production of power, replaced by the project activity in year y (tCO₂);
- $GEN_{CHP,y}$ - net electricity generated by the project activity of the SU CHP units (MWh);
- $EF_{grid,produced,y}$ - emission factor of electricity of replaced grid electricity production by the project activity in year y (tCO₂/MWh);
- $EL_{CONS,y}$ - net electricity consumed by mine on-site in year y (MWh);
- $EF_{grid,reduced,y}$ - emissions factor for electricity of replaced on-site electricity consumption by the project activity (tCO₂/MWh)

For this monitoring period, the net electricity generated by SU CHP units is less than net electricity consumed (see section B.1.2). Therefore, formula 14 was used.

Baseline emission of replacement of heat

Heat produced by SU CHP units supplies Vostochnaya site. Baseline emissions are given by following equation:

$$BE_{Use,Heat,y} = HEAT_{cons,vost,y} \times EF_{Heat,vost} \quad (16.)$$

where:

- $HEAT_{cons,vost,y}$ - heat consumed at Vostochnaya site, supplied by the project activity in year y (GJ);
- $EF_{Heat,vost}$ - emission factor for heat at Vostochnaya site in the baseline scenario (tCO₂/GJ).

Baseline emissions of replacement of vehicle fuels

The baseline emissions of the replacement of vehicle fuel by the project activity are given by the following equation:

$$BE_{Use,Gas} = VFUEL_y \times EF_v \quad (17.)$$

where:

- $VFUEL_y$ - vehicle fuel provided by the project activity (GJ);
- EF_v - emission factor for vehicle operation replaced by the project activity (tCO₂/GJ).

Emission factor for vehicle fuels

Emission factor for vehicle fuel is given by following equation:

$$EF_V = \frac{EF_{cos\lambda}}{Eff_V} \times \frac{44}{12} \times \frac{1TJ}{1000GJ} \quad (18.)$$

where:

- EF_v - emission factor for vehicle fuel replaced by the project activity (tCO₂/GJ);
- $EF_{cos\lambda}$ - emission factors for CO₂ four fuels used for vehicle operation replaced by the project activity (tCO₂/GJ);
- Eff_v - efficiency of vehicle motors (%);
- $44/12$ - carbon to Carbon Dioxide conversion factor;
- $1/1000$ - TJ to GJ conversion factor.

Year	[tCO ₂ e/year]	
Total: 01.08.2010 – 31.12.2010	[tCO ₂ e]	373 660

Table 13: Baseline emissions

D.3.3. Leakages:

Not Applicable

D.3.4. Emission reductions summary in monitoring period:

Year	[tCO ₂ e/year]	
Total: 01.08.2010 – 31.12.2010	[tCO ₂ e]	331 812

Table 14: Emission reductions

Gas sample analysis – 3rd quarter 2010¹⁷

APPROVED

P.S.Pashkovskiy
 First Director Deputy
 Science Activity
 Dr. Sc.
 Respirator Mining Rescue
 Scientific and Production
 Enterprise,
 < signature >
 Seal
 September 22, 2010

**Percentage of matters in samples of gas taken on 20.09.10
 at Lease Enterprise Mine named after A.F. Zasyadko**

Main Components	Sampling Point		
	Vacuum Pump Station-1		Vacuum Pump Station -2
	First group	Second group	Second group
	Concentration, %		Concentration, %
Methane CH ₄	15,5	15,5	36,9
Ethan C ₂ H ₆	0,05	0,05	0,6
Propane C ₃ H ₈	0,04	0,04	0,07
Butane C ₄ H ₁₀	0,009	0,009	0,008
Pentane C ₅ H ₁₂	n/a	n/a	n/a
Hexane C ₆ H ₁₄	n/a	n/a	n/a
Carbon Oxide CO	n/a	n/a	n/a
Hydrogen H ₂	n/a	n/a	n/a
Carbon Dioxide CO ₂	0,08	0,08	n/a
Nitrogen N ₂	68,3	68,3	51,2
Oxygen O ₂	15,2	15,2	10,6
Argon Ar	0,08	0,08	0,43
Micro-Components	mg/Nm³		
Ammonia NH ₃	0,004	0,004	n/a
Chlorine Cl ₂	n/a	n/a	n/a
Fluorine F ₂	n/a	n/a	n/a
hydrogen sulphide H ₂ S	0,006	0,006	n/a
Sulfide dioxide SO ₂	n/a	n/a	n/a
Dust, mg/m ³	<1	<1	<1
Moisture, mg/m ³	100	100	100

VPS 1 includes first and second set combined in common degasification line.

* re-calculated per dry gas

Analysis person in charge

signed

V.K. Sokolov

¹⁷ Gas sampling analysis is performed by RESPIRATOR Scientific Research Institute for Mining Rescue and Fire Safety

JI MONITORING REPORT

APPROVED

P.S.Pashkovskiy
 First Director Deputy
 Science Activity
 Dr. Sc.
 Respirator Mining Rescue
 Scientific and Production
 Enterprise,
 < signature >
 Seal
 September 22, 2010

**Percentage of matters in fuel gas and ignition gas samples taken on 20.09.10
 at Lease Enterprise Mine named after A.F. Zasyadko**

Main components	Fuel Gas, Concentration, %	Ignition Gas, Concentration, %
Methane CH ₄	32,7	96,7
Ethan C ₂ H ₆	0,22	0,5
Propane C ₃ H ₈	0,06	0,08
Butane C ₄ H ₁₀	0,01	0,006
Pentane C ₅ H ₁₂	0,006	0,007
Hexane C ₆ H ₁₄	0,0008	0,0005
Carbon Oxide CO	0,0004	0,008
Hydrogen H ₂	0,06	0,08
Carbon Dioxide CO ₂	0,04	n/a
Nitrogen N ₂	52,3	1,8
Oxygen O ₂	13,8	0,4
Argon Ar	0,38	0,11
Micro-Components	mg/Nm³	
Ammonia NH ₃	n/a	n/a
Chlorine Cl ₂	n/a	n/a
Fluorine F ₂	n/a	n/a
Hydrogen sulphide H ₂ S	n/a	n/a
Sulfide dioxide SO ₂	n/a	n/a
Dust, mg/m ³	<1	2
Moisture, mg/m ³	100	100

* re-calculated per dry gas

Analysis person in charge

signed

V.K. Sokolov

JI MONITORING REPORT

Gas sample analysis – 4th quarter 2010

APPROVED

O.S.Chumak
 First Director Deputy
 Science Activity
 Cand. Sc.
 Respirator Mining Rescue
 Scientific and Production
 Enterprise,
 < signature >
 Seal
 December 7th, 2010

**Percentage of matters in samples of gas taken on 06.12.10
 at Lease Enterprise Mine named after A.F. Zasyadko**

Main Components	Sampling Point		
	Vacuum Pump Station-1		Vacuum Pump Station -2
	First group	Second group	Second group
	Concentration, %		Concentration, %
Methane CH ₄	13,7	13,7	30,9
Ethan C ₂ H ₆	0,06	0,06	0,5
Propane C ₃ H ₈	0,06	0,06	0,08
Butane C ₄ H ₁₀	0,007	0,007	0,009
Pentane C ₅ H ₁₂	n/a	n/a	n/a
Hexane C ₆ H ₁₄	n/a	n/a	n/a
Carbon Oxide CO	n/a	n/a	n/a
Hydrogen H ₂	n/a	n/a	n/a
Carbon Dioxide CO ₂	0,05	0,05	n/a
Nitrogen N ₂	67,5	67,5	54,4
Oxygen O ₂	17,7	17,7	12,8
Argon Ar	0,09	0,09	0,45
Micro-Components	mg/Nm³		
Ammonia NH ₃	0,006	0,006	n/a
Chlorine Cl ₂	n/a	n/a	n/a
Fluorine F ₂	n/a	n/a	n/a
hydrogen sulphide H ₂ S	0,008	0,008	n/a
Sulfide dioxide SO ₂	n/a	n/a	n/a
Dust, mg/m ³	<1	<1	<1
Moisture, %	100	100	100

VPS 1 includes first and second set combined in common degasification line.

* re-calculated per dry gas

Analysis person in charge

signed

V.K. Sokolov

JI MONITORING REPORT

APPROVED

O.S.Chumak
 First Director Deputy
 Science Activity
 Cand. Sc.
 Respirator Mining Rescue
 Scientific and Production
 Enterprise,
 < signature >
 Seal
December 7th, 2010

**Percentage of matters in samples of gas taken on 06.12.10
 at Lease Enterprise Mine named after A.F. Zasyadko**

Main components	Fuel Gas, Concentration, %	Ignition Gas, Concentration, %
Methane CH₄	28,3	97,1
Ethan C₂H₆	0,21	0,48
Propane C₃H₈	0,08	0,06
Butane C₄H₁₀	0,02	0,004
Pentane C₅H₁₂	0,004	0,008
Hexane C₆H₁₄	0,0006	0,0006
Carbon Oxide CO	0,0004	0,006
Hydrogen H₂	0,07	0,07
Carbon Dioxide CO₂	0,04	n/a
Nitrogen N₂	54,6	1,4
Oxygen O₂	14,9	0,6
Argon Ar	0,36	0,13
Micro-Components	mg/Nm³	
Ammonia NH₃	n/a	n/a
Chlorine Cl₂	n/a	n/a
Fluorine F₂	n/a	n/a
Hydrogen sulphide H₂S	n/a	n/a
Sulfide dioxide SO₂	n/a	n/a
Dust, mg/m³	<1	<1
Moisture, mg/m³	100	100

VPS 1 includes first and second set combined in common degasification line.

* re-calculated per dry gas

Analysis person in charge

signed

V.K. Sokolov